

**ALLOWABLE DESIGN PRESSURE**

MAX. FRAME WIDTH (IN.)	MAX. FRAME HEIGHT (IN.)	ALLOWABLE PRESSURE	
		POSITIVE (PSF)	NEGATIVE (PSF)
<b>DOUBLE OPERABLE DOORS</b>			
75	119 1/2	40	40
75	95 1/2	55	70
<b>SINGLE OPERABLE DOORS</b>			
37 7/8	119 1/2	40	40
37 7/8	95 1/2	55	70
<b>FIXED PANEL DOORS</b>			
37 7/8	119 1/2	55	70

**FRAME ANCHOR REQUIREMENTS TABLE**

OPENING TYPE (SUBSTRATE)	FRAME/CLIP/NAIL FIN TO OPENING FASTENER TYPE	MINIMUM EMBED	MINIMUM EDGE DIST.
<b>FRAME/SILL SCREWS</b>			
(4) MIN. 2X6 WOOD FRAME OR BUCK (MIN. GR. 3 & G=0.55)	NO. 10 SMS OR WOOD SCREW	1 1/4"	3/4"
MIN. 18 GA. 33 KSI METAL STUD	NO. 10 GR. 5 SELF TAP/DRILL SCREW	FULL	1/2"
MIN. 1/8" THK A36 STEEL	NO. 10 GR. 5 SELF TAP/DRILL SCREW	FULL	1/2"
MIN. 1/8" THK 6063-T5 ALUM.	NO. 10 GR. 5 SELF TAP/DRILL SCREW	FULL	1/2"
C-90 CMU/2500 PSI CONCRETE	(1) 1/4" CONCRETE SCREW	1 1/4"	2"
<b>INSTALLATION CLIP SCREWS (STANDARD BENT CONDITION)</b>			
(4) MIN. 2X6 WOOD FRAME OR BUCK (MIN. GR. 3 & G=0.55)	NO. 8 X 1 1/2" SMS	1 3/8"	(3) N/A
MIN. 1/8" THK A36 STEEL	NO. 8 GR. 5 SELF TAP/DRILL SCREW	FULL	(3) N/A
MIN. 1/8" THK 6063-T5 ALUM.	NO. 8 GR. 5 SELF TAP/DRILL SCREW	FULL	(3) N/A
<b>(3) INSTALLATION CLIP SCREWS (ALTERNATE STRAIGHT CONDITION)</b>			
MIN. 2X6 WOOD FRAME OR BUCK (MIN. GR. 3 & G=0.55)	NO. 8 X 1 1/2" SMS	1 3/8"	3/4"
MIN. 18 GA. 33 KSI METAL STUD	NO. 8 GR. 5 SELF TAP/DRILL SCREW	FULL	1/2"
MIN. 1/8" THK A36 STEEL	NO. 8 GR. 5 SELF TAP/DRILL SCREW	FULL	1/2"
MIN. 1/8" THK 6063-T5 ALUM.	NO. 8 GR. 5 SELF TAP/DRILL SCREW	FULL	1/2"
<b>(2) NAILING FIN FASTENERS</b>			
(4) MIN. 2X6 WOOD FRAME OR BUCK (MIN. GR. 3 & G=0.55)	NO. 8 X 1 1/2" SMS	1 3/8"	1/2"
(4) MIN. 2X6 WOOD FRAME OR BUCK (MIN. GR. 3 & G=0.55)	11 GA. ROOFING NAIL	1 3/8"	1/2"
MIN. 1/8" THK A36 STEEL	NO. 8 GR. 5 SELF TAP/DRILL SCREW	FULL	1/2"
MIN. 1/8" THK 6063-T5 ALUM.	NO. 8 GR. 5 SELF TAP/DRILL SCREW	FULL	1/2"
<b>HINGE &amp; STRIKE SCREWS</b>			
(4) MIN. 2X6 WOOD FRAME OR BUCK (MIN. GR. 3 & G=0.55)	NO. 8 SMS OR WOOD SCREW	1 1/4"	3/4"
MIN. 18 GA. 33 KSI METAL STUD	NO. 8 GR. 5 SELF TAP/DRILL SCREW	FULL	1/2"
MIN. 1/8" THK A36 STEEL	NO. 8 GR. 5 SELF TAP/DRILL SCREW	FULL	1/2"
MIN. 1/8" THK 6063-T5 ALUM.	NO. 8 GR. 5 SELF TAP/DRILL SCREW	FULL	1/2"
C-90 CMU/2500 PSI CONCRETE	(1) 3/16" CONCRETE SCREW	1 1/2"	2"

- CONCRETE SCREWS SHALL BE ELCO ULTRACONS (C.S.), ELCO CRETE-FLEX (S.S.), ITW RAMSET/RED HEAD TAPCONS (C.S. OR S.S.) OR HILTI KWIK-CON II (C.S OR S.S.).
- WHEN SCREWS ARE USED WITH THE NAIL FIN, THEY MUST BE A WAFFLE HEAD SCREW OR HAVE A FLAT WASHER AT THE SCREW HEAD.
- ALTERNATE BENT CLIP INSTALLATION SCREWS SHALL BE POSITIONED WITHIN 1/4" OF THE BUCK/SUBSTRATE EDGE AND, IF INTO WOOD, ANGLED 15 TO 20 DEGREES INTO THE BUCK.
- 2X6 BUCKS MAY BE RIPPED DOWN TO MIN 4 3/4" DEPTH EXCEPT WHEN THE STANDARD INSTALLATION CLIP CONDITION APPLIES.

**GENERAL NOTES:**

- ALL FASTENERS SHALL BE IN ACCORDANCE WITH THESE DRAWINGS. SPECIFIED ANCHOR EMBED TO BASE MATERIAL SHALL BE BEYOND WALL FINISH OR STUCCO.
- OPENINGS, BUCKING & BUCKING FASTENERS MUST BE PROPERLY DESIGNED & INSTALLED TO TRANSFER WIND LOADS TO THE STRUCTURE.
- THESE LARGE MISSILE IMPACT RATED PRODUCT INSTALLATIONS ARE IN ACCORDANCE WITH AND MEET THE REQUIREMENTS OF THE FLORIDA BUILDING CODE (FBC).
- ALL ANCHORS SECURING PRODUCT FRAMES TO PRESSURE TREATED BUCKS OR WOOD FRAMING SHALL BE CAPABLE OF RESISTING CORROSION CAUSED BY THE PRESSURE TREATING CHEMICALS IN THE WOOD.
- MATERIALS, INCLUDING BUT NOT LIMITED TO STEEL SCREWS, THAT COME INTO CONTACT WITH OTHER DISSIMILAR MATERIALS SHALL MEET THE REQUIREMENTS OF FLORIDA BUILDING CODE CHAPTER 20.
- TO THE BEST OF OUR KNOWLEDGE, THE PRODUCT SHOWN HEREIN IS CERTIFIED & QUALITY ASSURED BY A FLORIDA STATE APPROVED CERTIFICATION/QA ENTITY & SHALL BE LABELED IN ACCORDANCE WITH THE FBC AND THE FLORIDA DEPARTMENT OF BUSINESS & PROFESSIONAL REGULATION SPECIFICATIONS. PRODUCT ASSEMBLY IS NOT PART OF THIS DRAWING AND SHALL BE IN ACCORDANCE WITH THE MANUFACTURER'S QUALITY ASSURANCE SPECIFICATIONS & TESTING REPORTS.
- CERTIFICATION OF THESE PRODUCT INSTALLATIONS SHALL BE CONSIDERED VOID IF ANY OF THE FOLLOWING APPLY: 1) PRODUCT IS INSTALLED WITHOUT A BUILDING PERMIT FROM THE APPLICABLE LOCAL BUILDING DEPARTMENT. 2) PRODUCT IS INSTALLED BY ANYONE OTHER THAN A LICENSED CONTRACTOR EXPERIENCED WITH INSTALLATIONS OF THIS TYPE OF PRODUCT. 3) IF CHANGES HAVE OCCURRED TO THE PRODUCT'S CERTIFICATION ENTITY'S CERTIFICATE THAT CAUSE THESE INSTALLATIONS TO BE INCORRECT OR INCONSISTENT WITH WHAT HAS BEEN TESTED.
- THE LEAST DESIGN PRESSURE SPECIFIED EITHER IN THIS DRAWING OR IN THE PRODUCTS CERTIFICATION SHALL CONTROL FOR THE INSTALLED PRODUCT.
- THESE DRAWINGS CERTIFY THE PRODUCT INSTALLATION ONLY. WATER PROOFING OF THE INSTALLED PRODUCT IS NOT PART OF THIS INSTALLATION CERTIFICATION. THAT RESPONSIBILITY SHALL BE THAT OF THE MANUFACTURER &/OR INSTALLER.

**HINGE REQUIREMENTS**

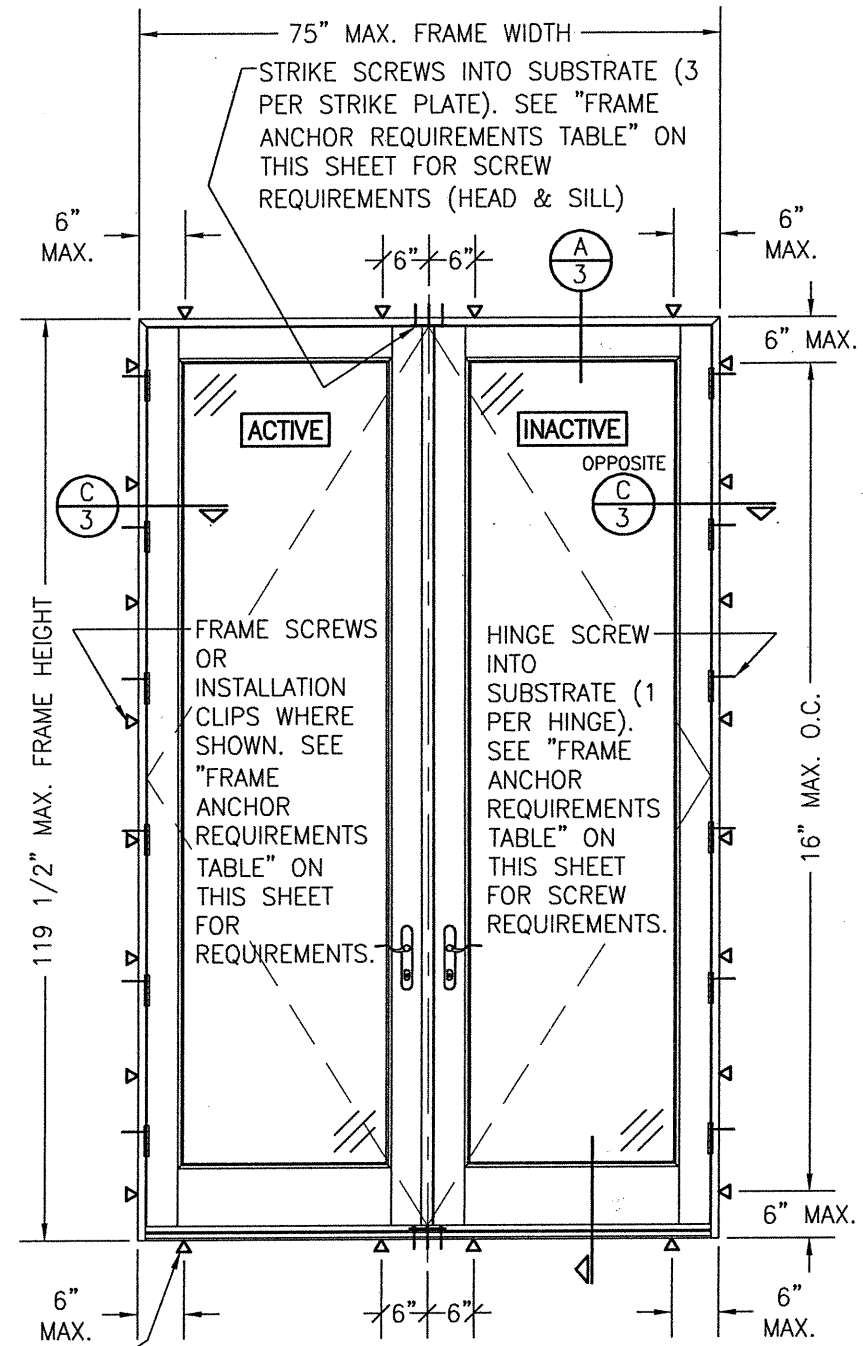
MAX. FRAME HEIGHT	QUANTITY PER PANEL
119.5"	6
107.875"	5
99.375"	4
83.875"	3

EDGE DISTANCE MAY BE DECREASED TO 1/2" IF SCREWS ARE ANGLED 15 TO 20 DEGREES AWAY FROM THE EDGE.

**ANCHOR/SUBSTRATE EVALUATION NOTE:**

ALL ANCHORS IN THEIR SPECIFIED SUBSTRATES HAVE BEEN ANALYZED IN ACCORDANCE WITH THEIR APPLICABLE STANDARD(S) AND ARE FOUND TO BE CAPABLE OF SUPPORTING ALL LOADS IMPOSED ON THEM UNDER THE GUIDELINES OF THIS DOCUMENT. ANY SUBSTRATES OR CONDITIONS OUTSIDE OF WHAT IS SHOWN HERE-IN SHALL BE SUBJECT TO JOB SPECIFIC ENGINEER'S REVIEW & CERTIFICATION.

INSTALLATION EVALUATION IS BASED ON APPLICABLE ANCHOR STANDARDS AND/OR INFORMATION & RESULTS FROM APPLICABLE TEST REPORTS. THE FLORIDA BUILDING CODE VERSION CONSIDERED WITH THE EVALUATION WAS THAT IN FORCE AT THE TIME OF THE EVALUATION. IN THE EVENT OF CODE VERSION CHANGES/UPDATES OR IN THE EVENT THAT NEW OR ADDITIONAL TESTING IS COMPLETED ON THE REFERENCED PRODUCT, PRIOR TO STATING CODE COMPLIANCE WITH THE STATE, THE MANUFACTURER SHALL CONFIRM WITH THE INSTALLATION EVALUATION ENGINEER OF RECORD THAT THE INSTALLATIONS SPECIFIED HERE-IN ARE CURRENT WITH THE THEN CURRENT TESTING, CODE AND APPLICABLE STANDARDS.



**INTERIOR ELEVATION:  
DOUBLE RECTANGULAR DOOR**  
SCALE: 1/2" = 1'-0"  
(FRAME SCREW & CLIP MOUNT CONDITION)

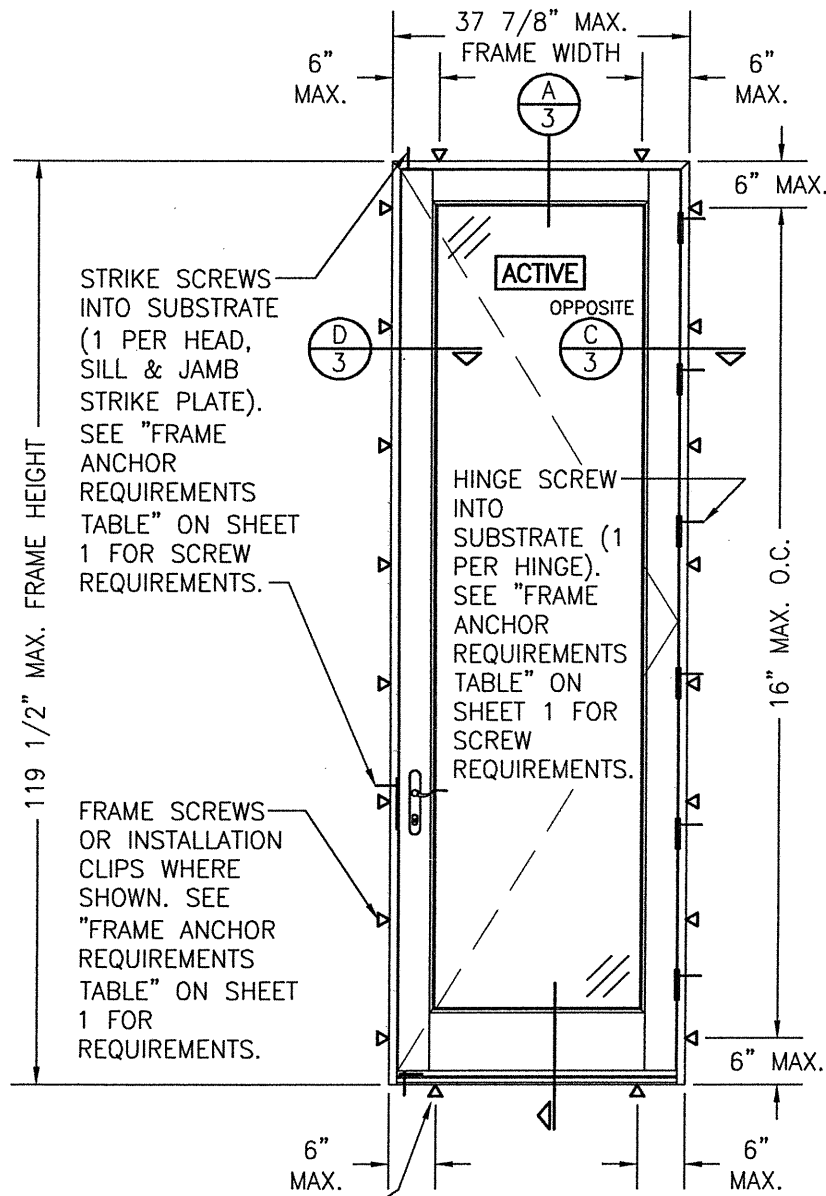
SILL SCREWS WHERE SHOWN. SEE "FRAME ANCHOR REQUIREMENTS TABLE" ON THIS SHEET FOR REQUIREMENTS.

**INSTALLATION NOTE:**

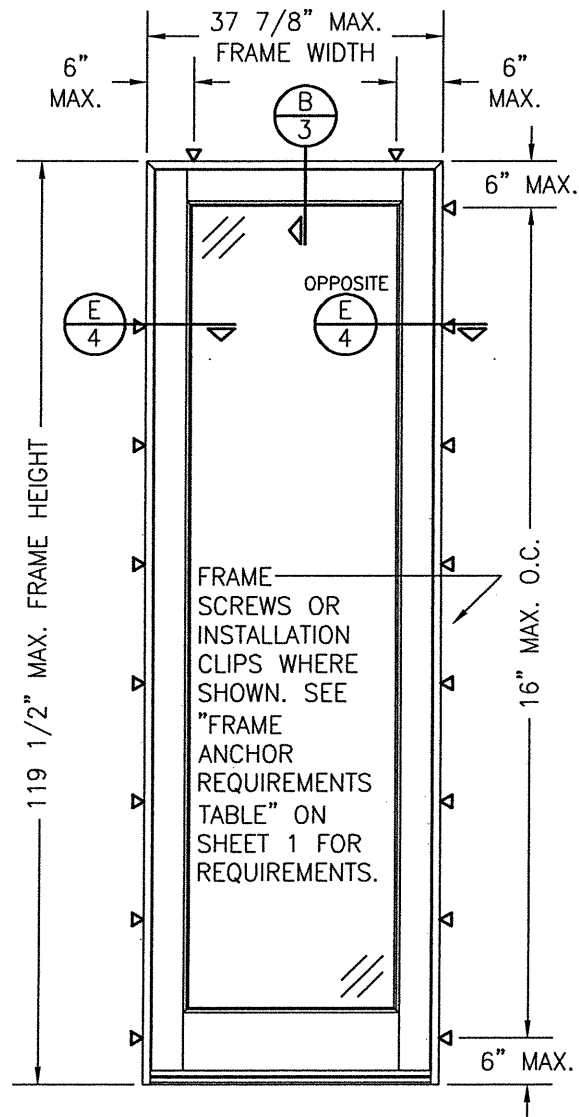
WHEN NECESSARY, INSTALLATION METHODS MAY BE MIXED WITH ANY ONE DOOR SUCH THAT INDIVIDUAL SIDES OF THE DOOR MAY USE ONE OR THE OTHER ANCHOR METHOD (EXAMPLE: LEFT SIDE MAY USE CLIP METHOD WHILE OTHER SIDES USE FRAME SCREWS)

THESE DRAWINGS ARE APPLICABLE ONLY TO THE PRODUCT SPECIFIED. THEY MAY NOT BE USED FOR THE ASSEMBLY AND/OR INSTALLATION OF ANY OTHER PRODUCT NOR MAY THEY BE USED FOR RATIONAL AND/OR LOCAL APPROVAL OF ANY PRODUCT NOT PRODUCED BY THE MANUFACTURER STATED ON THESE DRAWINGS.

DRAWN BY: W.R.M.		CHECKED BY: W.W.S.	
PLOT: 1=24		DATE: 11/27/10	
DATE	BY	REVISION DESCRIPTION	NO.
01/18/11	W.R.M.	UPDATE PER NEW TESTING	A1
04/04/13	W.R.M.	ADD ACTIVE/FIXED CONDITION	B1
08/28/17	W.W.S.	UPDATE TO CURRENT STANDARDS	C1
05/02/21	W.W.S.	UPDATE PER NEW TESTING	D1
<b>PELLA CORPORATION</b> 102 MAIN STREET PELLA, IA 50219 641-621-1000			
<b>PELLA ARCHITECT IMPACT ALUMINUM CLAD IN-SWING DOOR INSTALLATIONS</b> MANUFACTURER			
<b>W. W. SCHAEFER ENGINEERING &amp; CONSULTING, P.A. (CA 6809)</b> 7480 150TH COURT NORTH PALM BEACH GARDENS, FL 33418 PHONE: 561-744-3424			
CERTIFICATION JUN 04 2021 WARREN W. SCHAEFER, P.E. P.E. NO. 44135			
DRAWING NO. 1725		REV. D	
SHEET NO. 1		OF 4	



**INTERIOR ELEVATION:  
SINGLE RECTANGULAR DOOR**  
SCALE: 1/2" = 1'-0"  
(FRAME SCREW & CLIP MOUNT CONDITION)



**INTERIOR ELEVATION:  
SINGLE FIXED PANEL**  
SCALE: 1/2" = 1'-0"  
(FRAME SCREW OR CLIP MOUNT CONDITION)

DRAWN BY: W.R.M.	CHECKED BY: W.W.S.
PLOT: 1-24	DATE: 11/27/10
NO.	DATE
REVISION DESCRIPTION	BY

**PELLA ARCHITECT IMPACT ALUMINUM CLAD  
IN-SWING DOOR INSTALLATIONS**  
MANUFACTURER

**PELLA CORPORATION**  
102 MAIN STREET  
PELLA, IA 50219  
641-621-1000

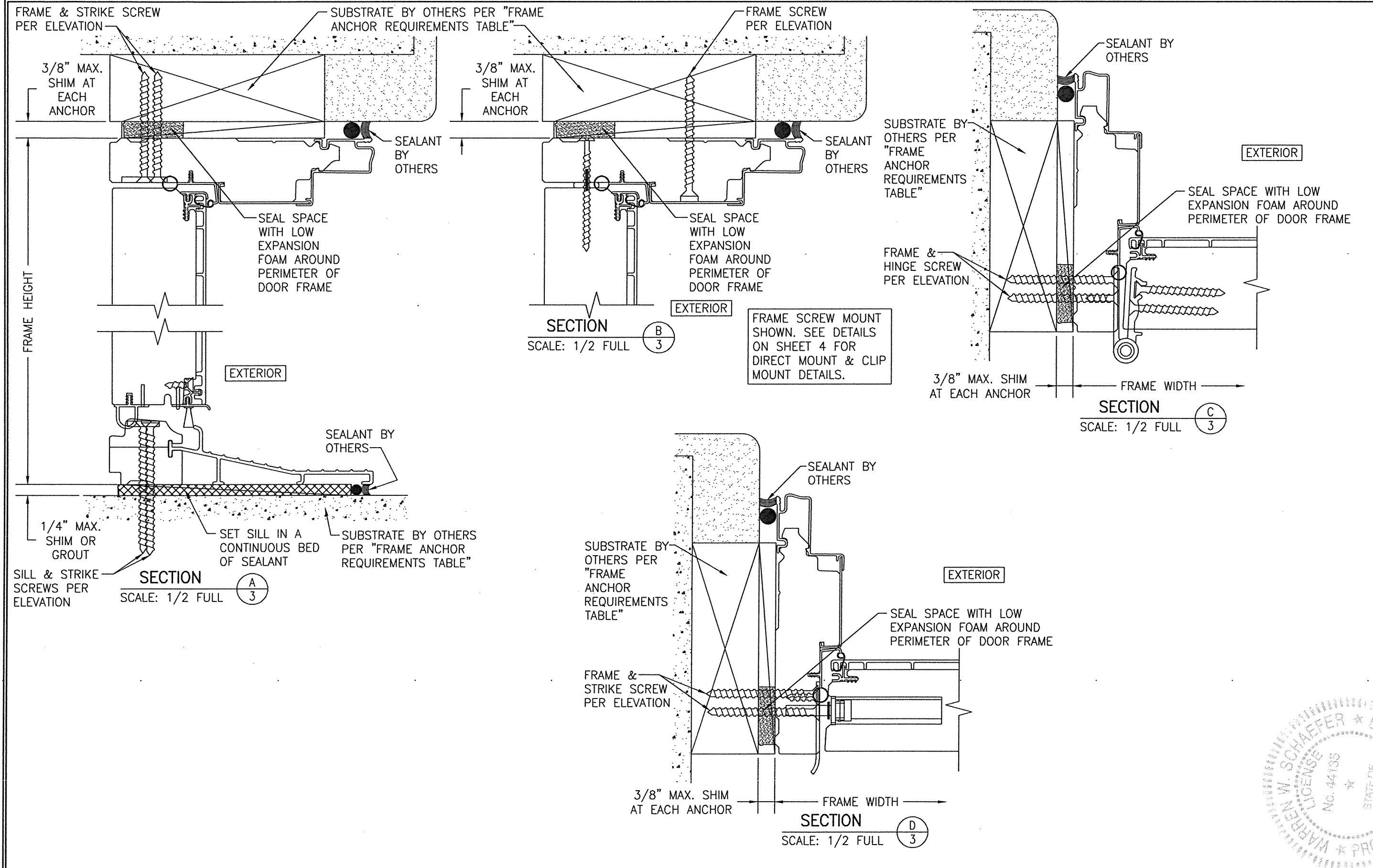
**W. W. SCHAEFER ENGINEERING  
& CONSULTING, P.A. (CA 6809)**  
7480 150TH COURT NORTH  
PALM BEACH GARDENS, FL 33418  
PHONE: 561-744-3424

CERTIFICATION  
WARRREN W. SCHAEFER  
LICENSE  
No. 44135

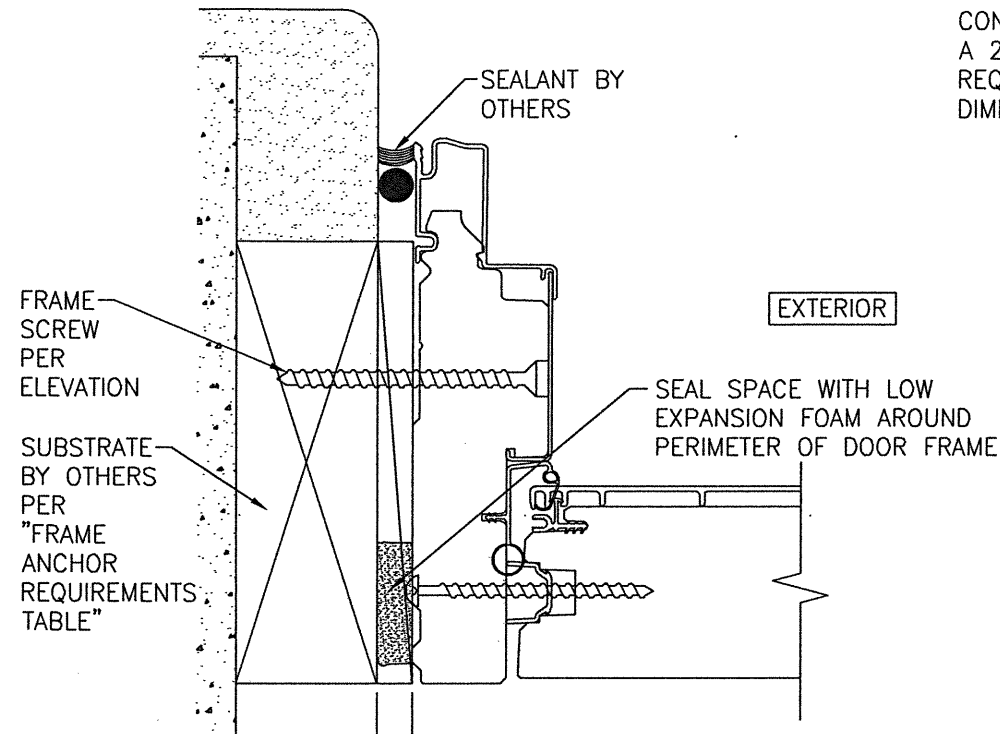
JUN 04 2021

WARRREN W. SCHAEFER, P.E.  
P.E. NO. 44135

DRAWING NO. 1725	REV. D
SHEET NO. 2 OF 4	



DRAWN BY: W.R.M.		CHECKED BY: W.W.S.	
PLOT: 1-2		DATE: 11/27/10	
NO.	REVISION DESCRIPTION	BY	DATE
DRAWING TITLE: PELLA ARCHITECT IMPACT ALUMINUM CLAD IN-SWING DOOR INSTALLATIONS CONSULTANTS: W. W. SCHAEFER ENGINEERING & CONSULTING, P.A. (CA 6809) 7480 150TH COURT NORTH, PALM BEACH GARDENS, FL 33418, PHONE: 561-744-3424 MANUFACTURER: PELLA CORPORATION, 102 MAIN STREET, PELLA, IA 50219, 641-621-1000			
CERTIFICATION: WARREN W. SCHAEFER, P.E. No. 44135 STATE OF IOWA JUN 04 2021		PELLA CORPORATION 102 MAIN STREET PELLA, IA 50219 641-621-1000	
DRAWING NO. 1725		REV. D	
SHEET NO. 3		OF 4	



3/8" MAX. SHIM AT EACH ANCHOR

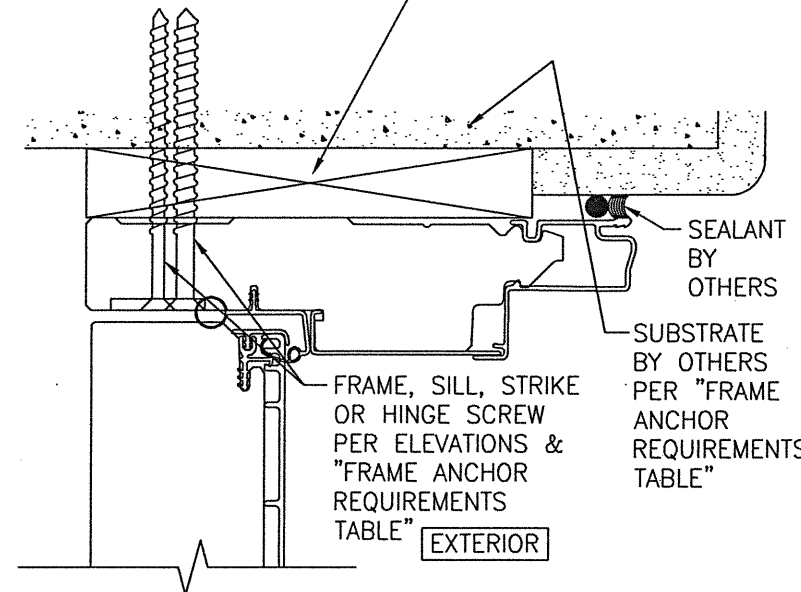
FRAME WIDTH

SECTION E-4

SCALE: 1/2 FULL

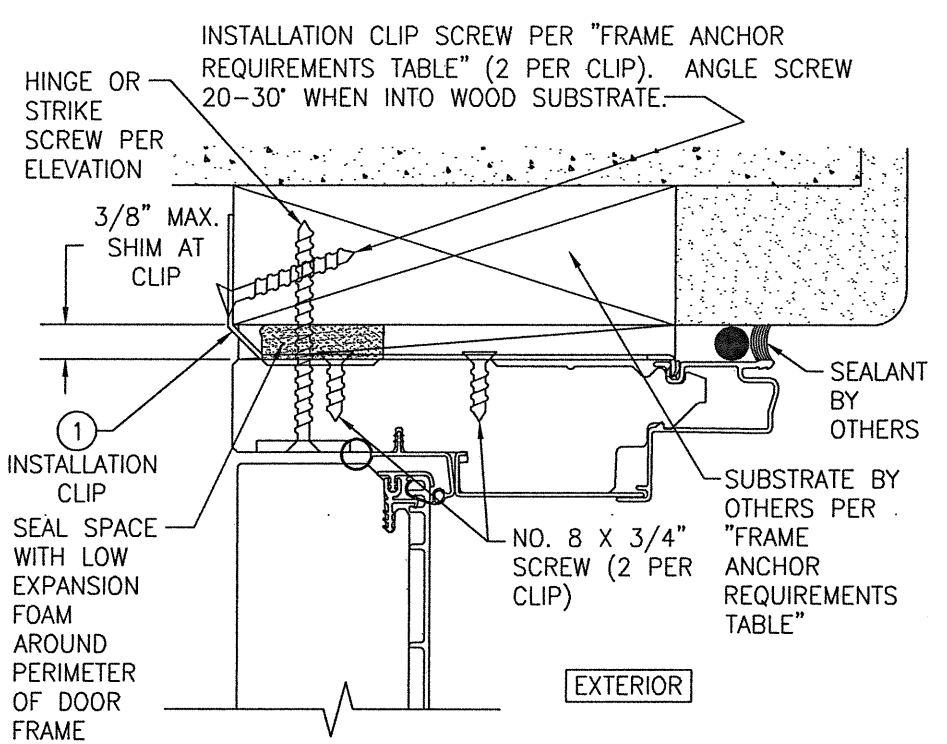
FRAME SCREW MOUNT SHOWN. SEE DETAILS ON THIS SHEET FOR DIRECT MOUNT & CLIP MOUNT DETAILS.

CONTINUOUS WOOD MEMBER LESS IN THICKNESS THAN A 2X BUCK TO BE MIN. 4 3/4" DEEP (NOT REQUIRED WHEN SHIM SPACE IS WITHIN ALLOWABLE DIMENSIONS SHOWN IN SECTIONS).



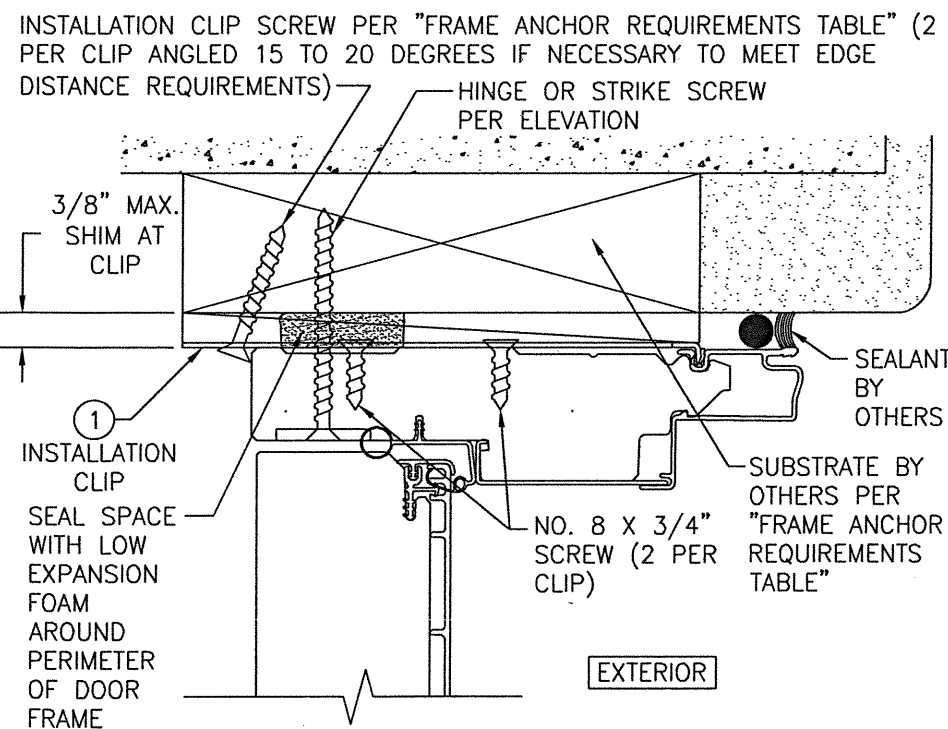
**OPTIONAL DIRECT MOUNT DETAIL TO SUBSTRATE WITH SPACER**

(HEAD SECTION SHOWN; SILL & SIDES ARE INSTALLED THE SAME)  
 (FOR DETAIL NOT SHOWN, SEE OTHER SECTIONS)  
 (OPERABLE DOOR SHOWN, FIXED PANEL DOORS ALSO APPLY)



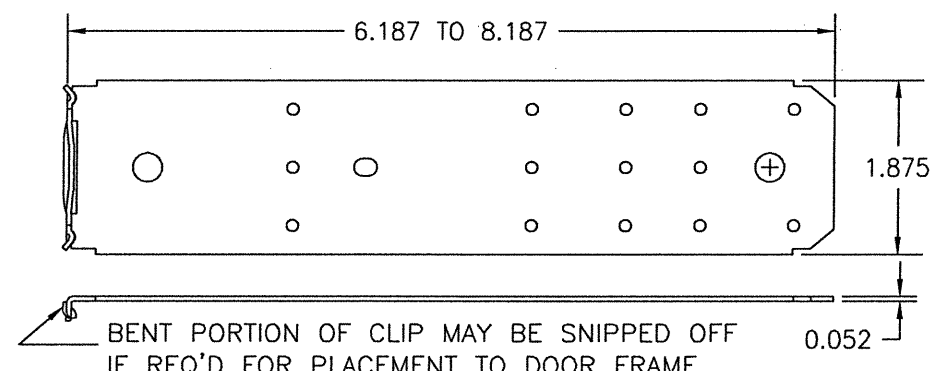
**STANDARD INSTALLATION CLIP DETAIL**

(HEAD SECTION SHOWN; SIDES ARE INSTALLED THE SAME)  
 (FOR DETAIL NOT SHOWN, SEE OTHER SECTIONS)  
 (OPERABLE DOOR SHOWN, FIXED PANEL DOORS ALSO APPLY)  
 (INSTALLATION CLIPS ARE NOT APPLICABLE AT SILL)



**ALTERNATE INSTALLATION CLIP DETAIL**

(HEAD SECTION SHOWN; SIDES ARE INSTALLED THE SAME)  
 (FOR DETAIL NOT SHOWN, SEE OTHER SECTIONS)  
 (OPERABLE DOOR SHOWN, FIXED PANEL DOORS ALSO APPLY)  
 (INSTALLATION CLIPS ARE NOT APPLICABLE AT SILL)



BENT PORTION OF CLIP MAY BE SNIPPED OFF IF REQ'D FOR PLACEMENT TO DOOR FRAME.

① **FRAME INSTALLATION CLIP**  
 (50 KSI STEEL)



DRAWN BY: W.R.M.		CHECKED BY: W.W.S.	
PLOT: 1=2		DATE: 11/27/10	
NO.	REVISION DESCRIPTION	BY	DATE
DRAWING TITLE: PELLA ARCHITECT IMPACT ALUMINUM CLAD IN-SWING DOOR INSTALLATIONS			
CONSULTANTS: PELLA CORPORATION, 102 MAIN STREET, PELLA, IA 50219, 641-621-1000			
MANUFACTURER: Pella			
W. W. SCHAEFER ENGINEERING & CONSULTING, P.A. (CA 6809), 7480 150TH COURT NORTH, PALM BEACH GARDENS, FL 33418, PHONE: 561-744-3424			
CERTIFICATION: WARREN W. SCHAEFER, P.E., No. 44135, FLORIDA			
DATE: JUN 04 2011			
DRAWING NO. 1725			
REV. D			
SHEET NO. 4 OF 4			